



# INSTALLATION INSTRUCTIONS

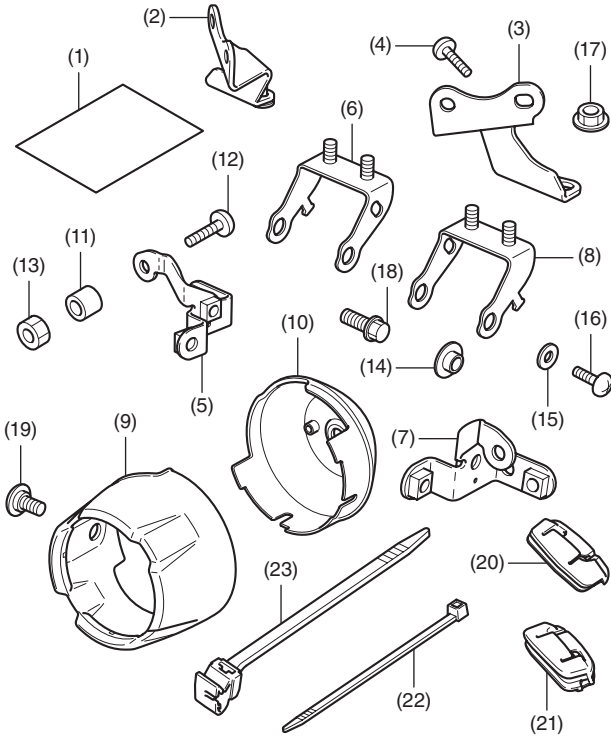
Accessory  
**FRONT FOG ATTACHMENT**  
 P/N 08V70-MKS-E00

Application  
**CRF1100A/D**

Publication No.  
**MII**  
 Issue Date  
**June 2021**

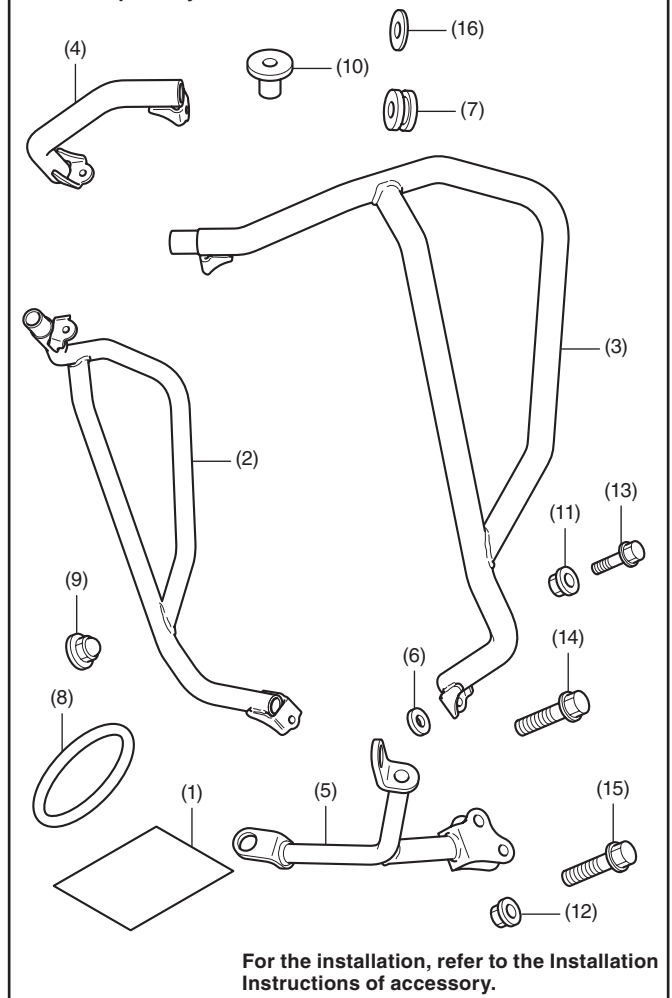
**Honda Dealer: Please give a copy of these instructions to your customer.**

## PARTS LIST



No.	Description	Qty
(1)	URL paper	1
(2)	Right fog mount stay	1
(3)	Left fog mount stay	1
(4)	6 mm socket screw	4
(5)	Right fog stay A	1
(6)	Right fog stay B	1
(7)	Left fog stay A	1
(8)	Left fog stay B	1
(9)	Fog lamp cover	2
(10)	Fog lamp cap	2
(11)	Collar	2
(12)	6 mm bolt	2
(13)	6 mm nut	2
(14)	Flange collar (small)	4
(15)	Washer	4
(16)	6 mm screw	4
(17)	6 mm flange nut	4
(18)	6 mm SH flange bolt	2
(19)	6 mm shoulder socket screw	4
(20)	Right fog lamp rubber	1
(21)	Left fog lamp rubber	1
(22)	Wire tie	2
(23)	Harness clip	2

## FRONT SIDE PIPE Sold separately

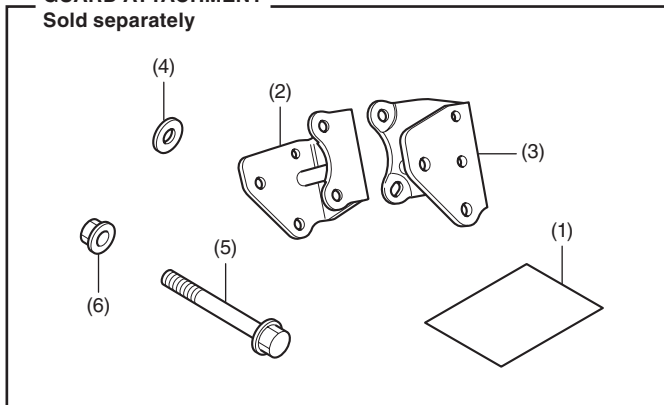


**For the installation, refer to the Installation Instructions of accessory.**

No.	Description	Qty
(1)	URL paper	1
(2)	Right front side pipe	1
(3)	Left front side pipe	1
(4)	Front side center pipe	1
(5)	Front side pipe center stay	1
(6)	Spacer (large)	2
(7)	Grommet	2
(8)	Gasket	2
(9)	8 mm flange cap nut	2
(10)	Collar	2
(11)	6 mm flange nut	2
(12)	8 mm flange nut	1
(13)	6 mm SH flange bolt	2
(14)	8 mm SH flange bolt	2
(15)	8 mm flange bolt (short)	2
(16)	Washer	2

### GUARD ATTACHMENT

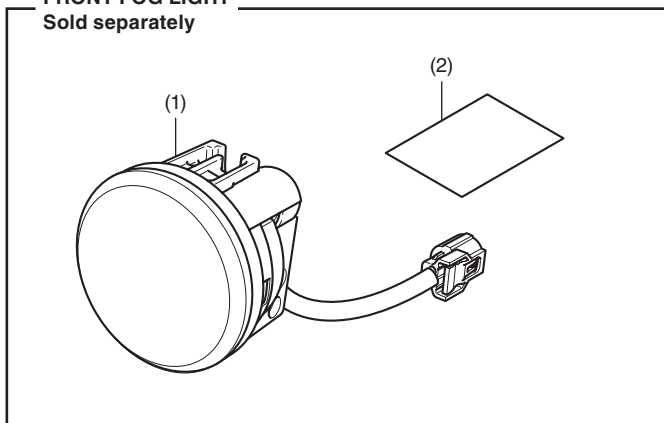
Sold separately



No.	Description	Qty
(1)	URL paper	1
(2)	Right guard bracket	1
(3)	Left guard bracket	1
(4)	Spacer (small)	2
(5)	8 mm flange bolt (long)	2
(6)	8 mm flange nut	2

### FRONT FOG LIGHT

Sold separately



No.	Description	Qty
(1)	Front fog light	2
(2)	URL paper	1

### TOOLS AND SUPPLIES REQUIRED

Socket (8 and 10 mm)

Ratchet

Hex wrench (5 mm)

Phillips ® screwdriver

Nippers

Marker

Scale

Electrical tape

Shop towel

Torque wrench

### TORQUE CHART

Tighten all screws, bolts, and nuts to their specified torque values. Refer to the Service Manual for the torque values of the removed parts.

Item	N-m	kgf-m	lbf-ft
6 mm screw	9	0.9	6.6
6 mm shoulder socket screw	9	0.9	6.6
6 mm socket screw	9	0.9	6.6
6 mm bolt	10	1.0	7
6 mm SH flange bolt	10	1.0	7
6 mm flange nut	12	1.2	9

### INSTALLATION

#### ▲ CAUTION

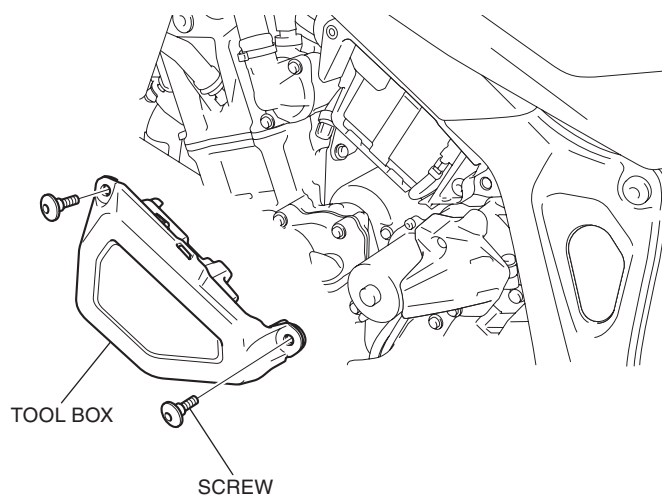
- To prevent burns, allow the engine, exhaust system, radiator, etc., to cool before installing the accessory.

#### NOTE:

- Disconnect the negative (-) cable from the battery before installing this accessory.
- The memories of the clock will be erased when you disconnect the battery. Reset the memories after reconnecting the battery.
- Reinstall the removed parts on the motorcycle and make sure that the wires and harnesses are not pinched.
- Cut the wire tie and harness clip at 5 mm from the lock part after attaching them to the wire harnesses. Do not allow the cut part of the wire tie and harness clip to interfere with another harness or brake hose.
- Setting is necessary after installing this accessory.

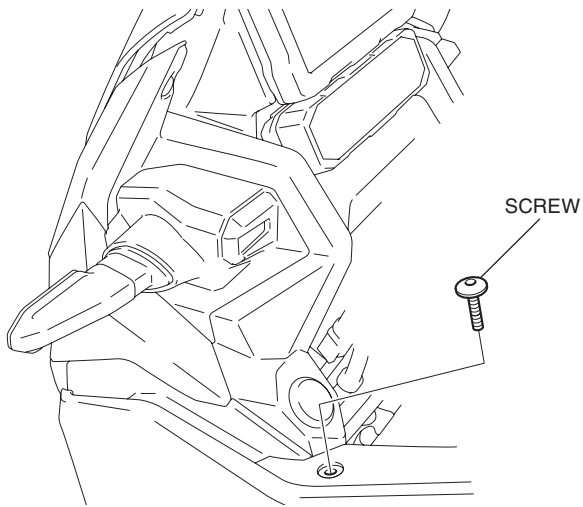
- Remove the tool box and disconnect the negative (-) cable of the battery.

<Left side>



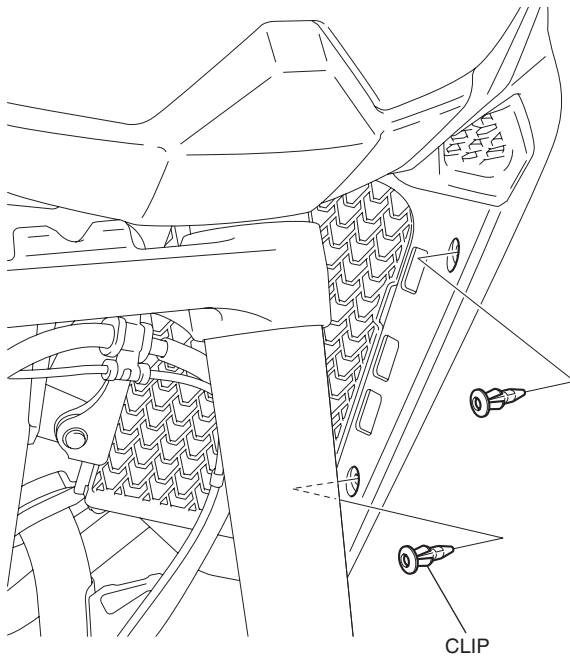
2. Remove the screw as shown.
  - Repeat on the right side.

<Left side>

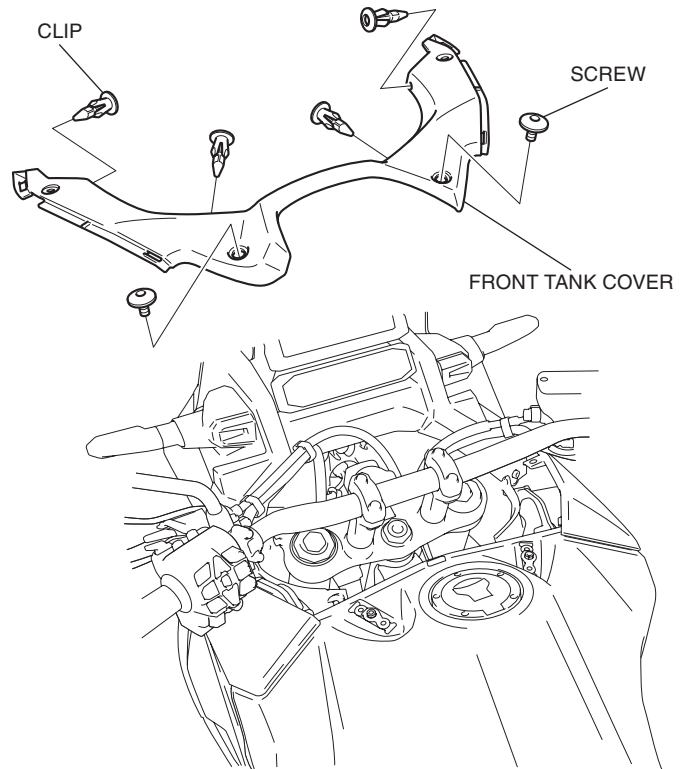


3. Remove the clips as shown.
  - Repeat on the right side.

<Left side>

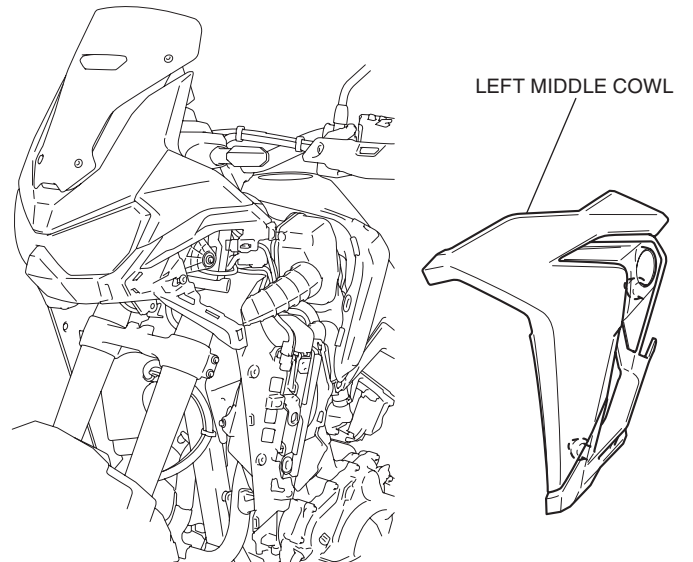


4. Remove the front tank cover as shown.



5. Remove the left middle cowl as shown.
  - Repeat on the right side.

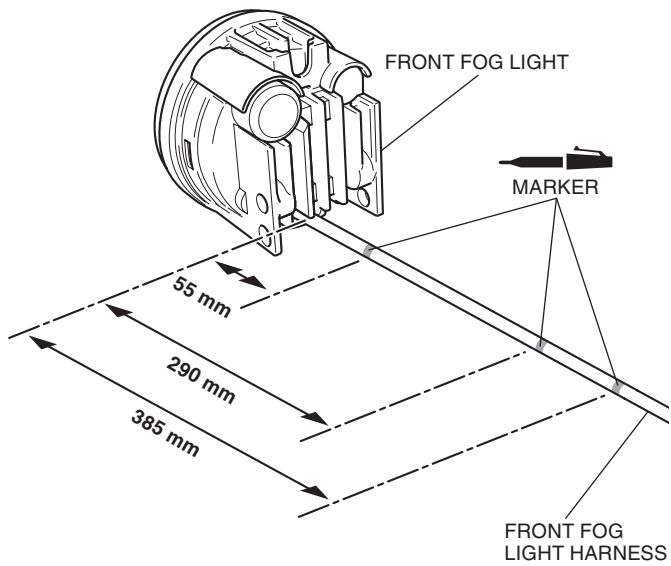
<Left side>



6. Remove the right middle cowl in the same manner as the left side.
7. Perform the step 5 to 17 on the Front side pipe (sold separately) installation instructions.

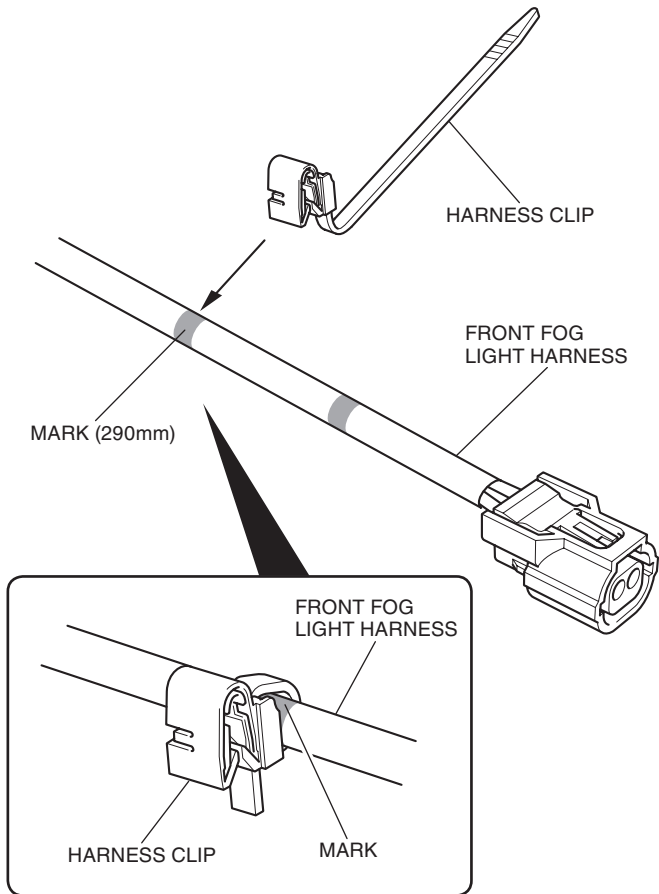
8. Mark the front fog light harness at the position with the indicated dimensions.

- Perform this step for both fog lights.



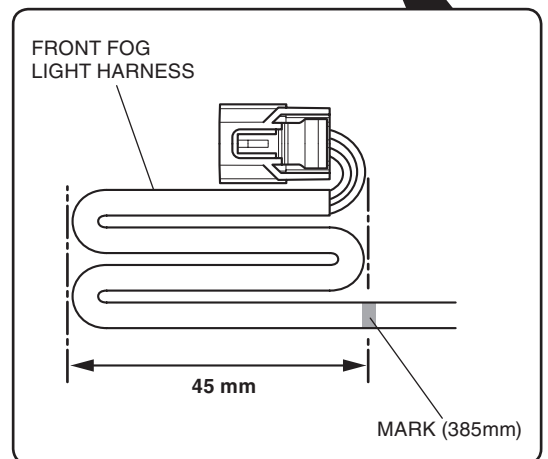
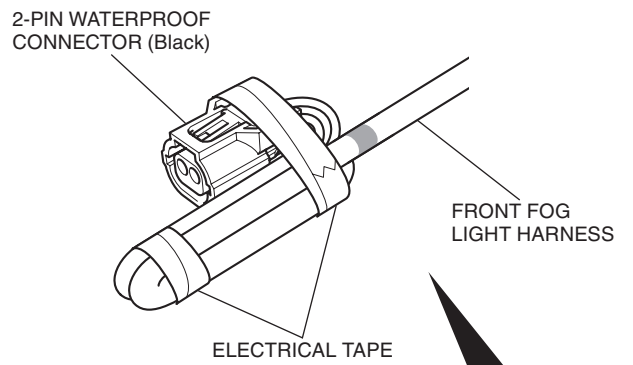
9. Install the harness clip as shown.

- Perform this step for both fog lights.

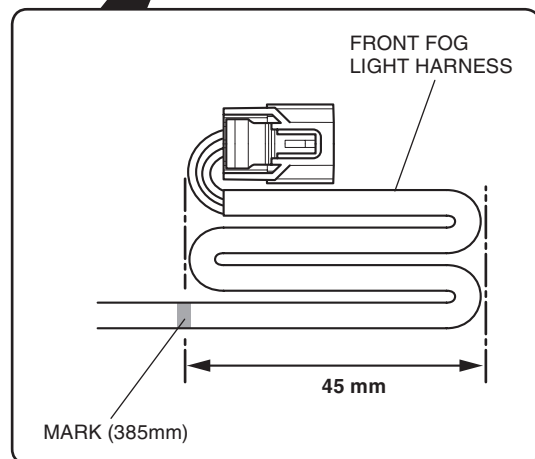
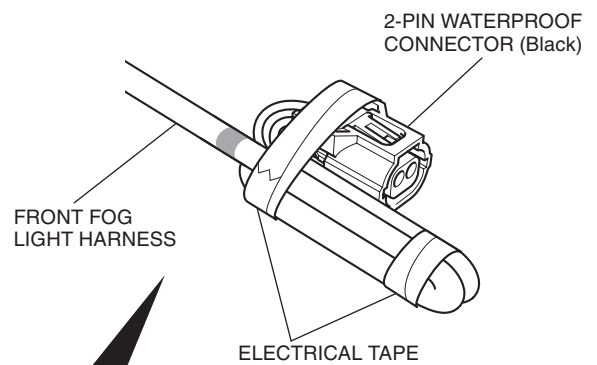


10. Bundle the front fog light harness as shown.

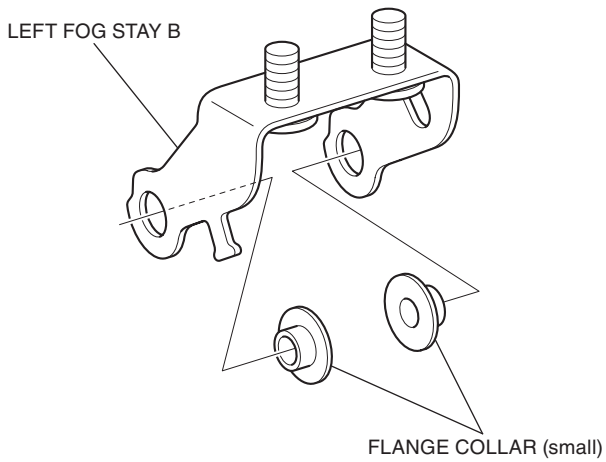
<for Left side>



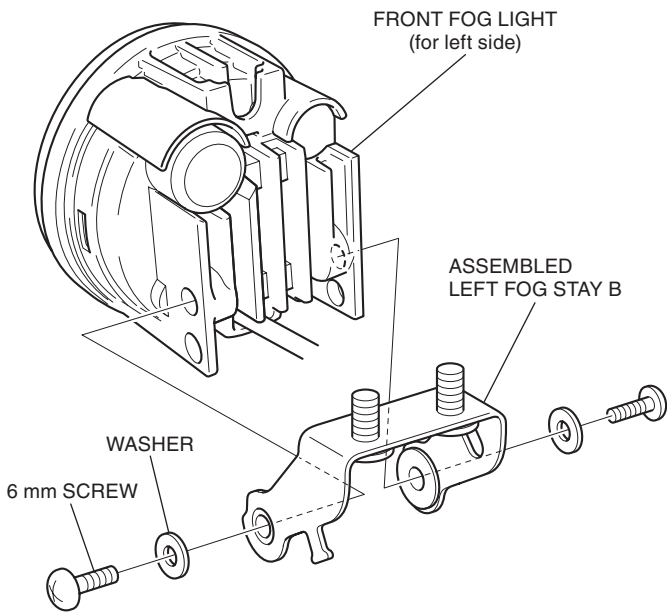
<for Right side>



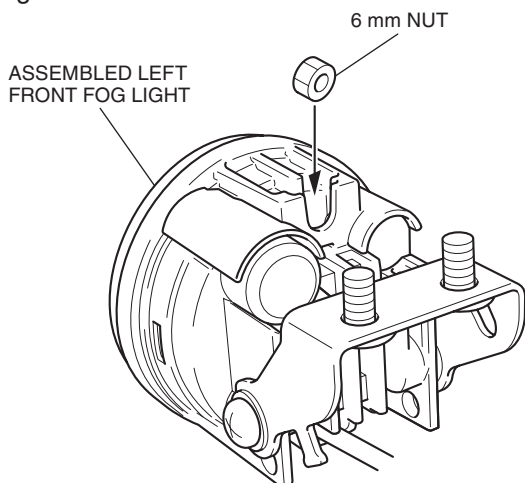
11. Install the flange collars to the left fog stay B as shown.



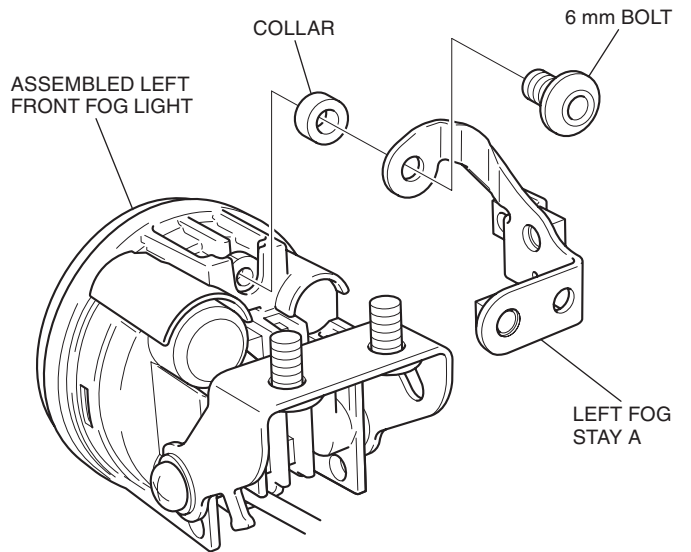
12. Loosely install the assembled left fog stay B to the front fog light as shown.



13. Install the 6 mm nut to the assembled left front fog light as shown.

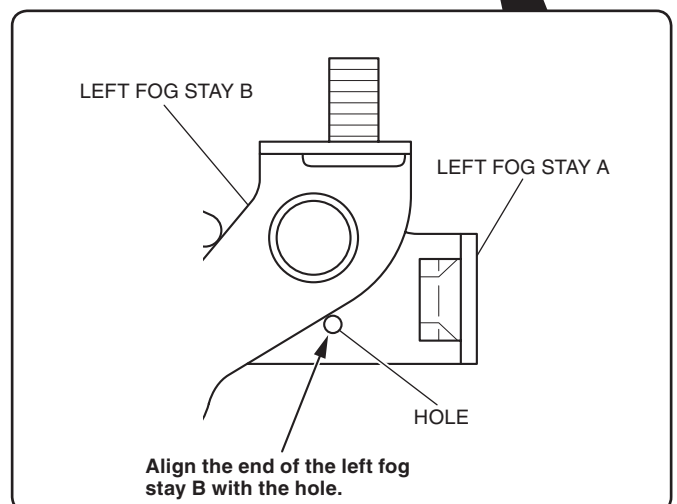
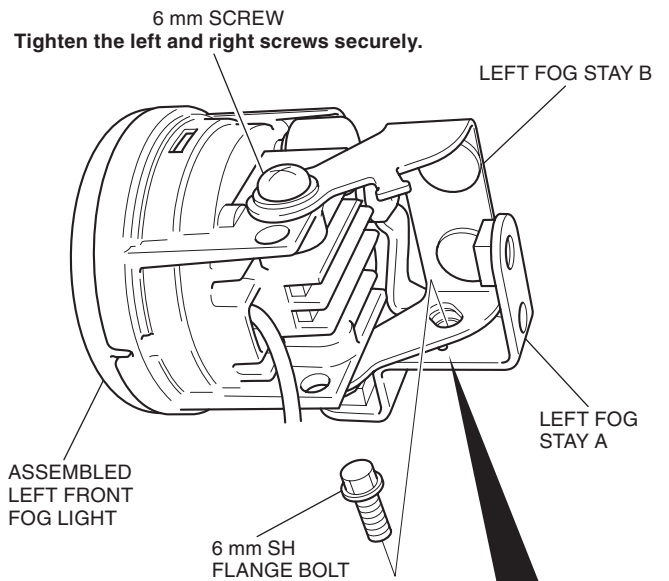


14. Loosely install the fog light stay A as shown.

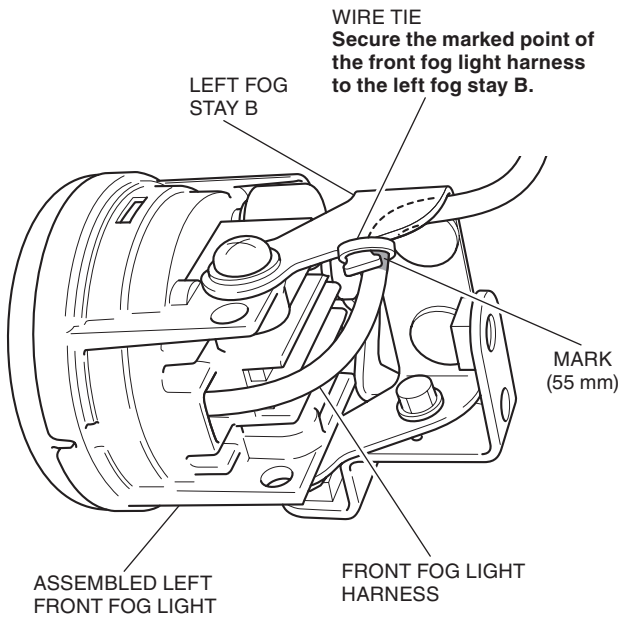


15. Secure the left fog stay B and left fog stay A as shown.

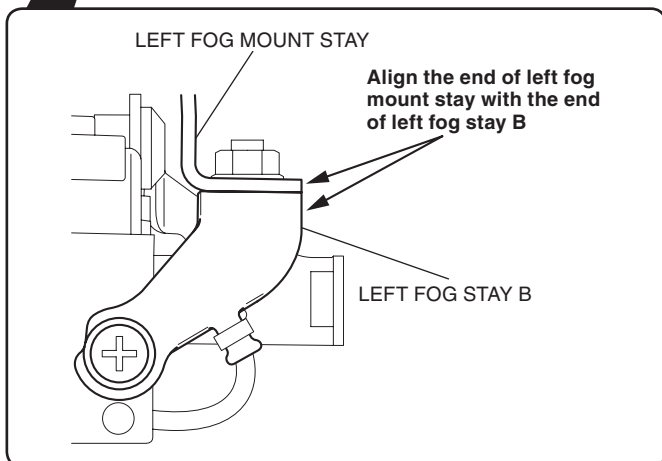
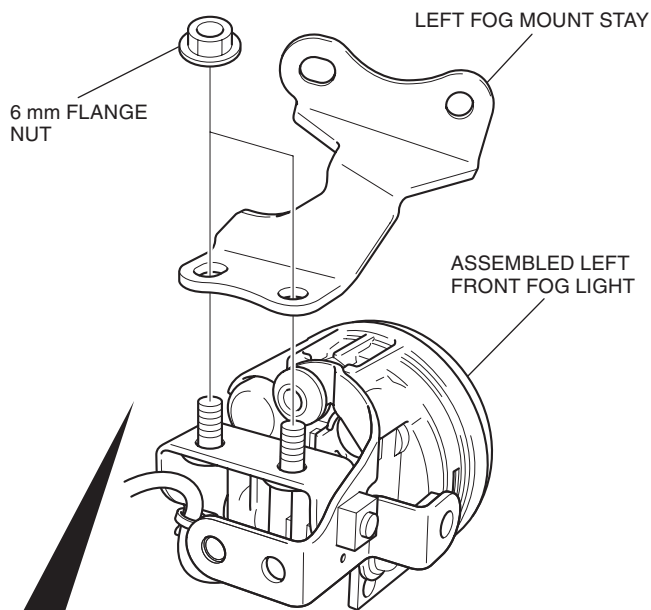
- To adjust the fog light aiming, loosen the 6 mm SH flange bolt and 6 mm screws.



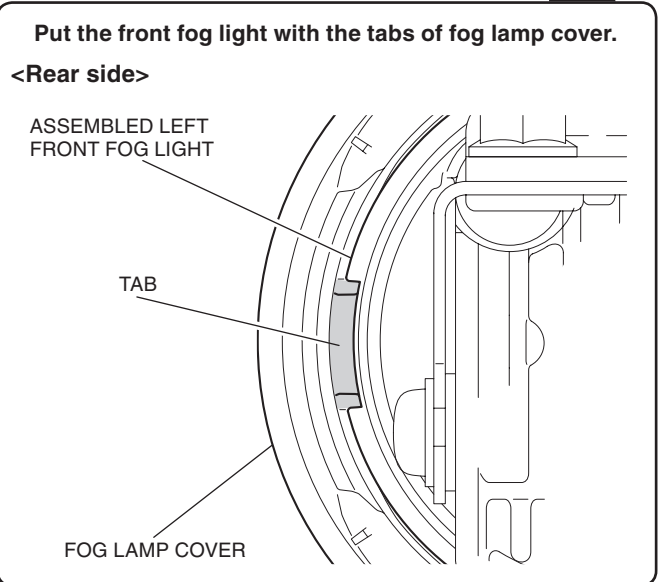
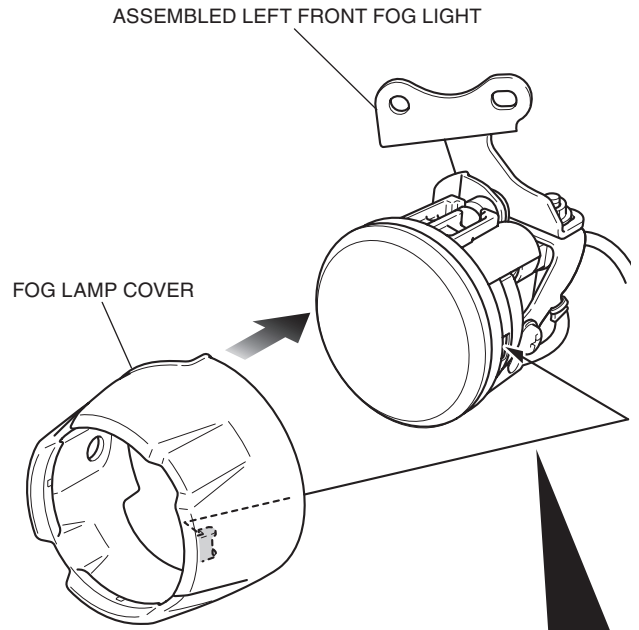
16. Secure the front fog light harness with the wire tie as shown.



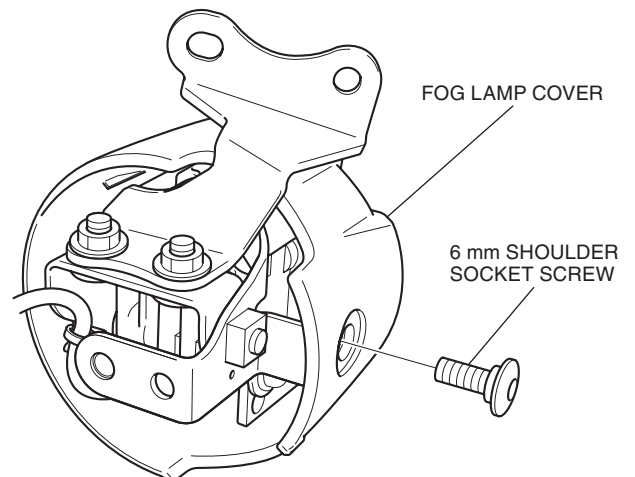
17. Install the left fog mount stay as shown.  
 • To adjust the fog light aiming, loosen the 6 mm flange nuts.



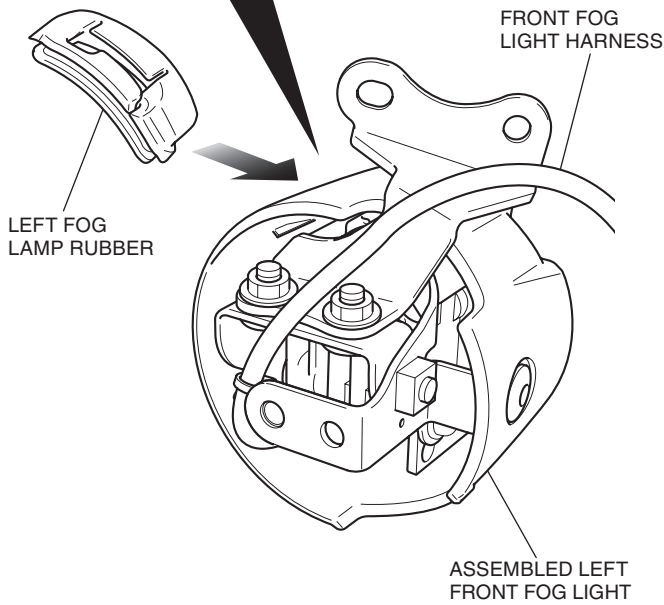
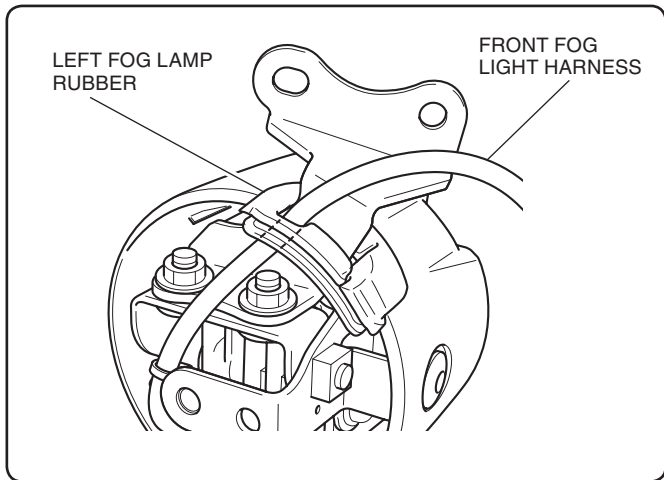
18. Install the fog lamp cover as shown.



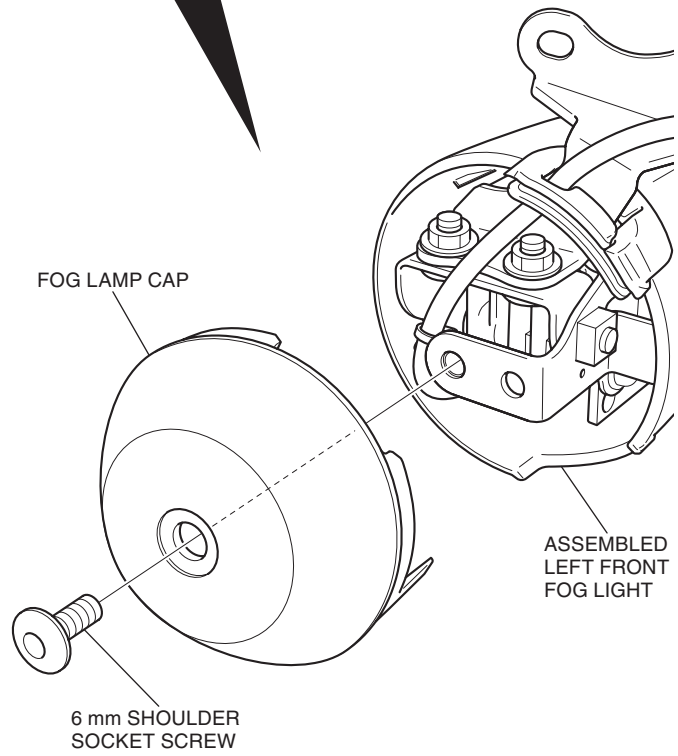
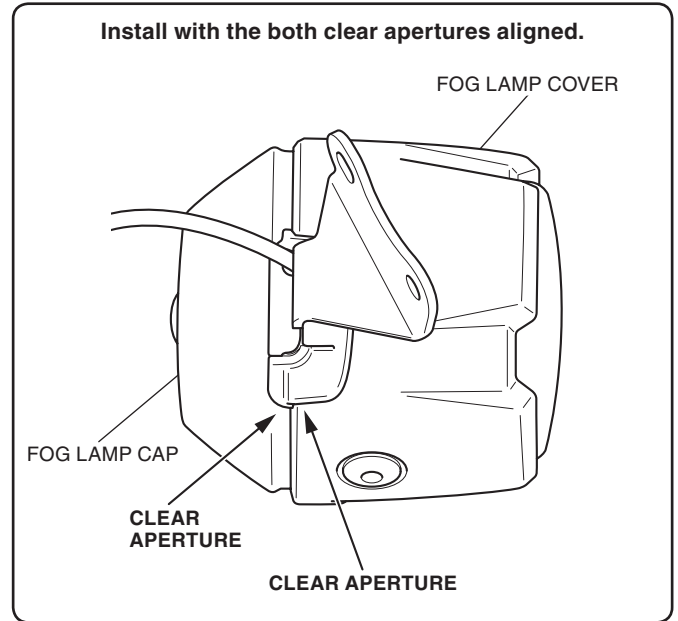
19. Secure the fog lamp cover as shown.



20. Route the front fog light harness as shown and install the left fog lamp rubber.



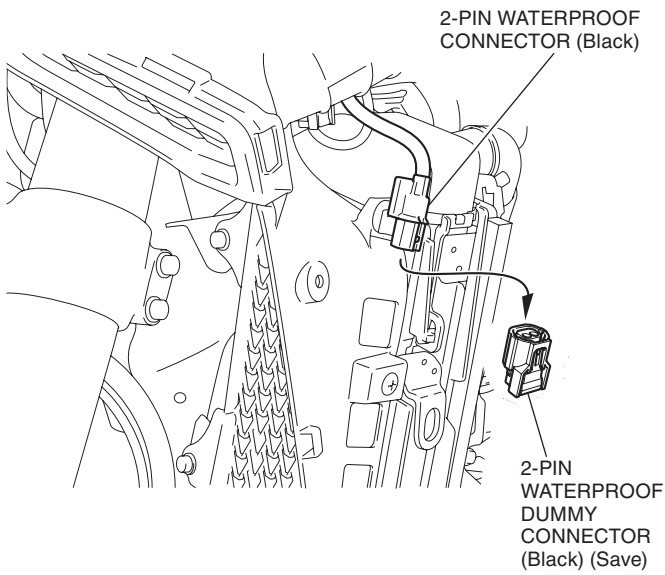
21. Install the fog lamp cap as shown.



22. Assemble the right front fog light in the same manner as the left side.

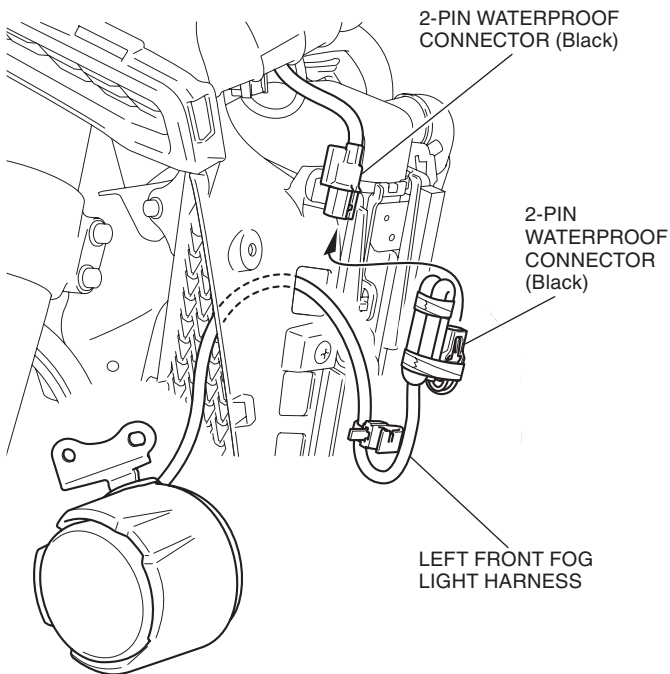
23. Remove the dummy connector as shown.

<Left side>

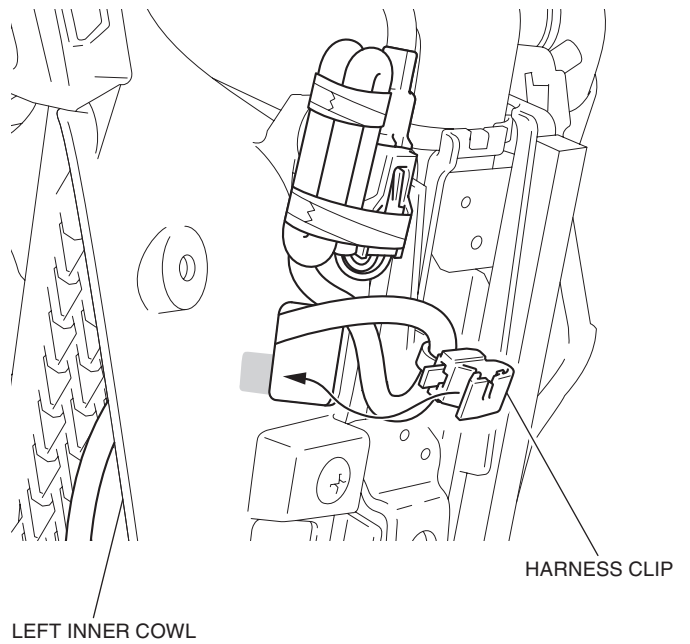


24. Route and connect the left front fog light harness as shown.

- **After connecting, place the left front fog light onto a stable stand so as not to apply an excessive force on the left front fog light harness, and slacken the left front fog light harness.**



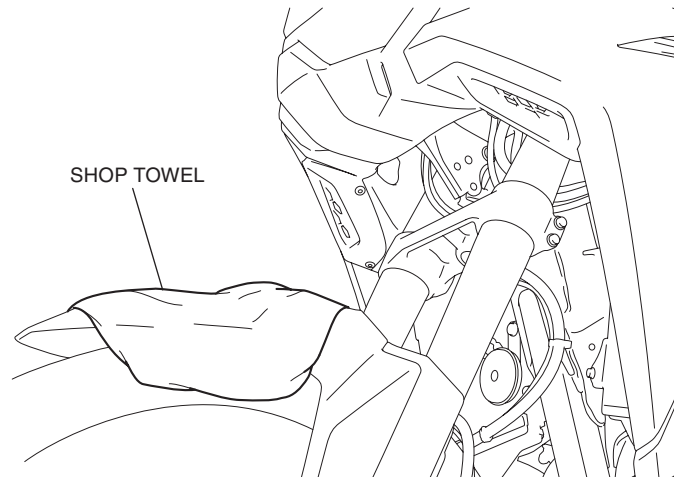
25. Secure the harness clip to the left inner cowl as shown.



26. Connect and secure the right front fog light harness in the same manner as the left side.

27. Perform the step 18 on the Front side pipe (sold separately) installation instructions.

28. Cover the front fender with shop towel as shown.



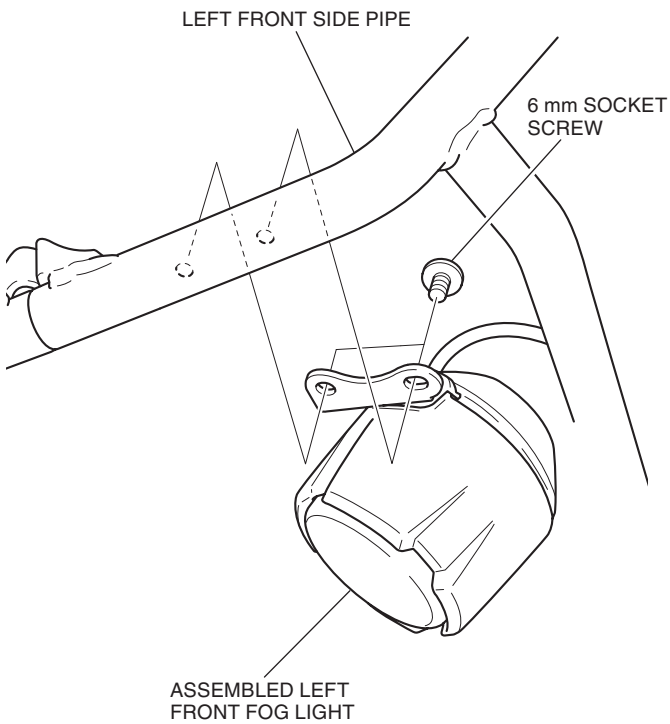


29. Perform the step 19 to 25 on the front side pipe (sold separately) installation instructions.

30. Install the assembled left front fog light as shown.

- **Repeat on the right side.**

<Left side>



31. Perform the step 26 to 28 on the front side pipe (sold separately) installation instructions.

32. Install the motorcycle's parts in the reverse order of removal.

- **Confirm that any wire harness is not caught or too tight.**
- **After installing the fog light, perform the setting.**

33. Check the fog light, headlight and the other lights for proper operation.

## SETTING

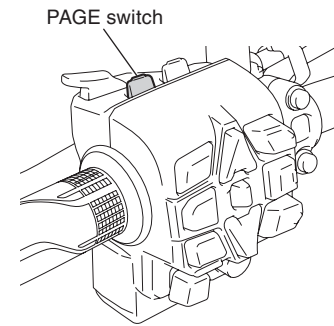
- Check that this accessory is installed securely.

1. Connect the SCS short connector (070MZ-0010300) to the DLC.

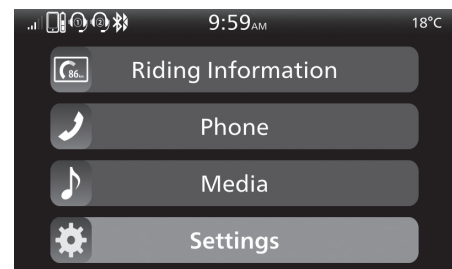
2. Turn the ignition switch ON and engine stop switch "Q".

- **Do not start the engine.**

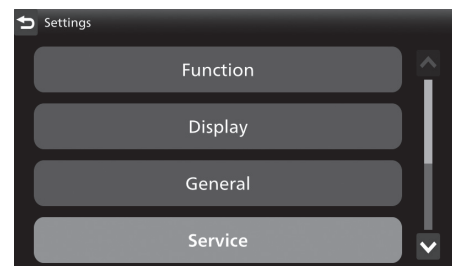
3. Pull backward and hold the PAGE switch or touch the clock area of the multi-information display.



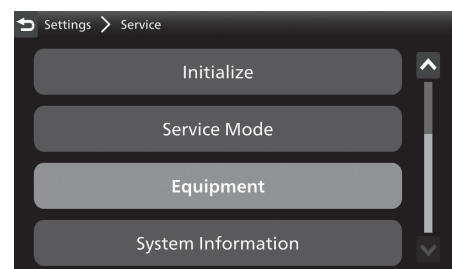
4. Select the "Settings", and then press the ENT switch.



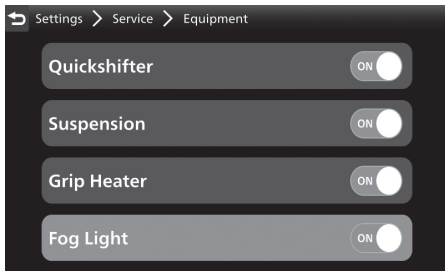
5. Select the "Service", and then press the ENT switch.



6. Select the "Equipment", and then press the ENT switch.



7. Select the “Fog Light”, and then press the ENT switch to “ON” the function.



8. Turn the ignition switch OFF and remove the SCS short connector.

## ADJUSTING THE FOG LIGHT AIMING

1. Place the motorcycle on a level surface, 5 m away from the aiming screen.
2. Turn the ignition switch to ON.
3. Select the FOG of pop-up information using the Fn switch.



4. Push forward or pull backward the Fn lever to select the “ON” of the FOG.



5. Measure the mounting height of the fog light from the floor.
6. Aim the fog lights so that the cut-off line of the light pattern on the aiming screen is the same distance above the floor as the fog light mounting height.

